

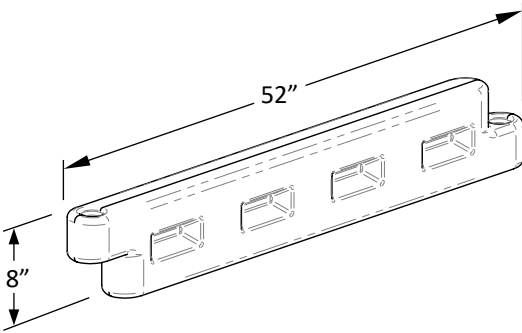
INSTALL GUIDE

SAFETY

- Check to ensure that plans will meet local codes and guidelines
- Do not install on concrete, asphalt, or other hard surfaces
- Space equipment to ensure proper traffic flow and safe usage

BORDER COMPONENTS

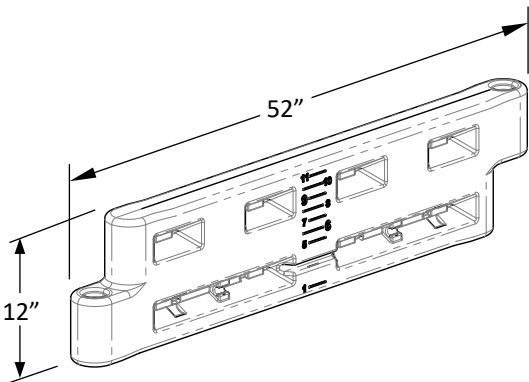
- 100-Border 8



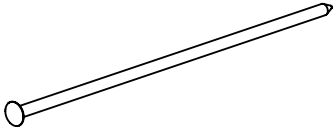
- 100-Spike 8



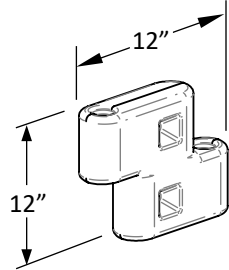
- 100-Border 12



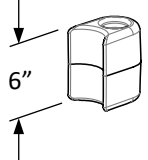
- 100-Spike 12



- 100-1'-Border-12

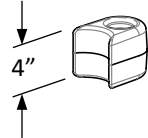


- 100-Filler 12



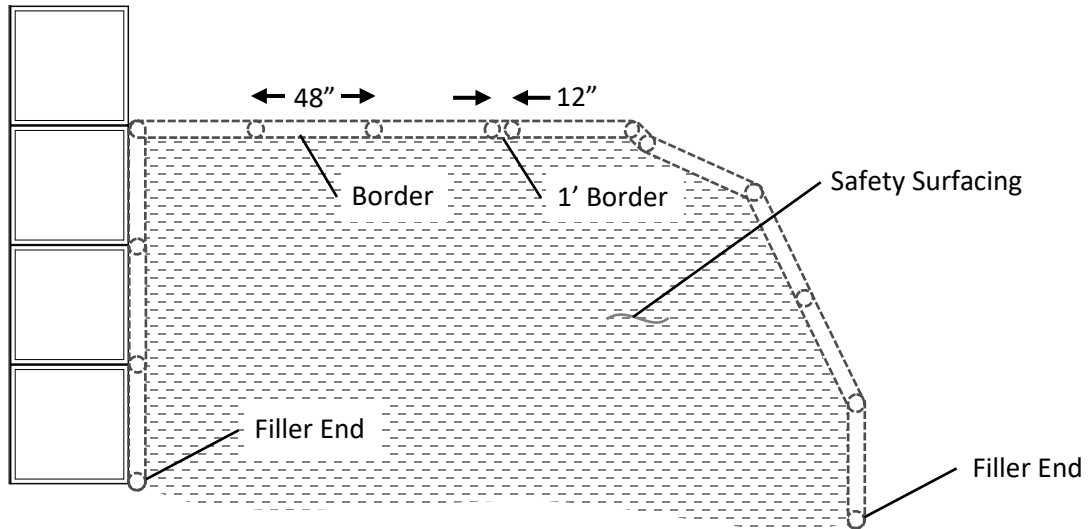
ACCESSORIES

- 100-Filler 8



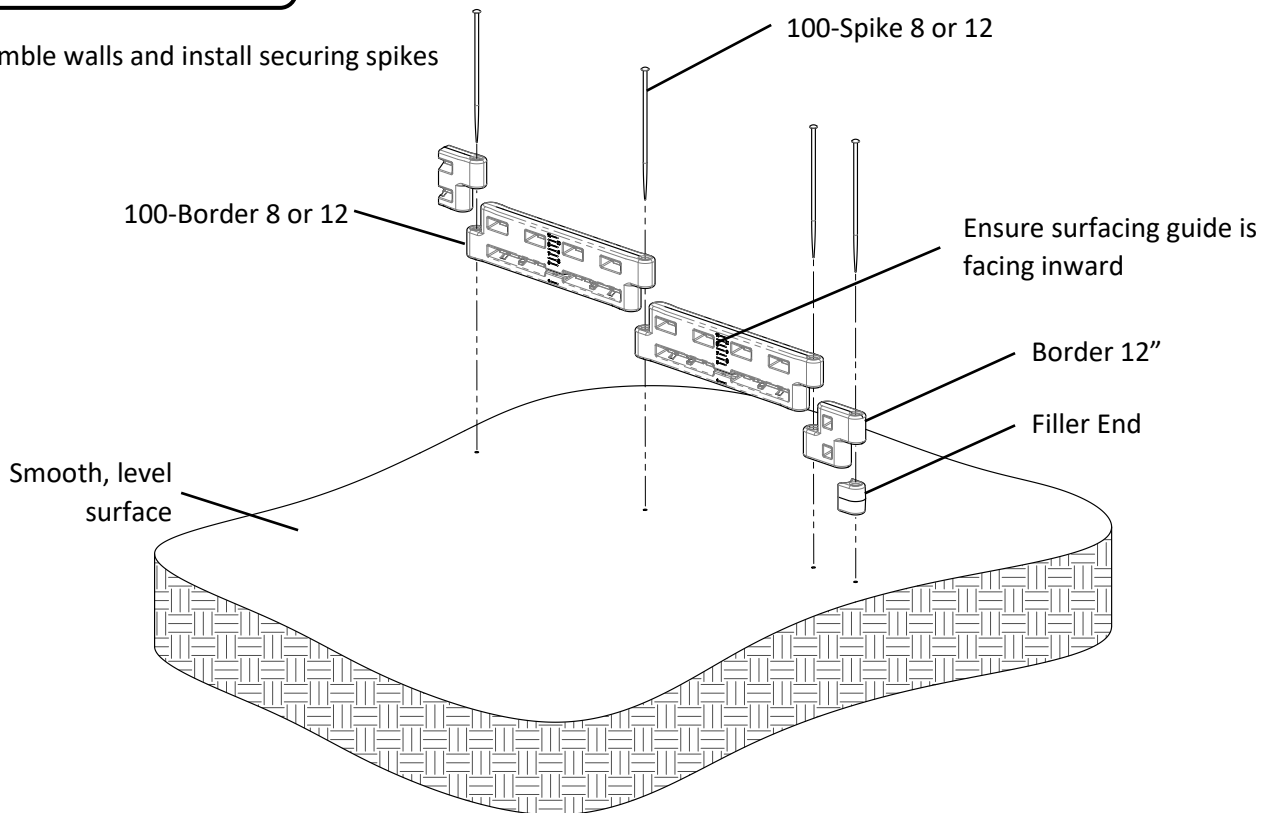
INSTALL GUIDE

PLAN LAYOUT



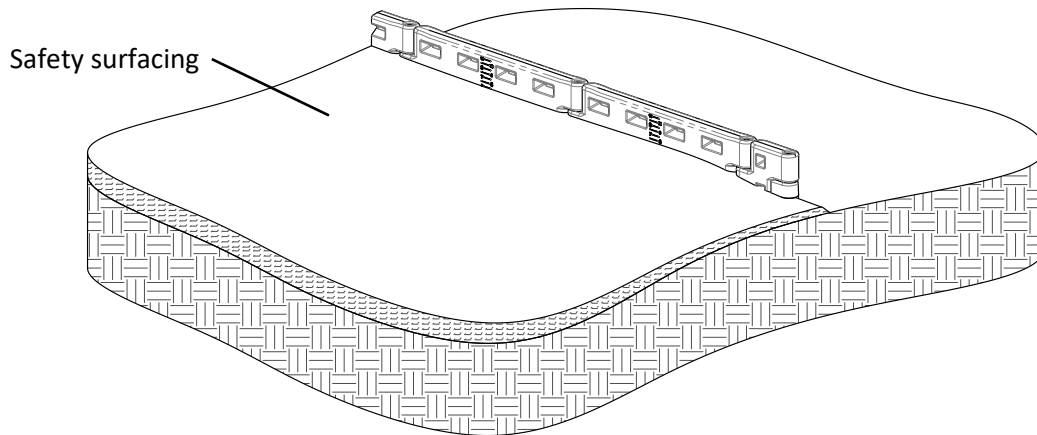
INSTALLATION

- Assemble walls and install securing spikes



INSTALL GUIDE

- Fill with safety surfacing material



- Ensure safety surfacing material depth is sufficient for playground equipment critical fall height

